



### PRODUCT FEATURES EMB7300

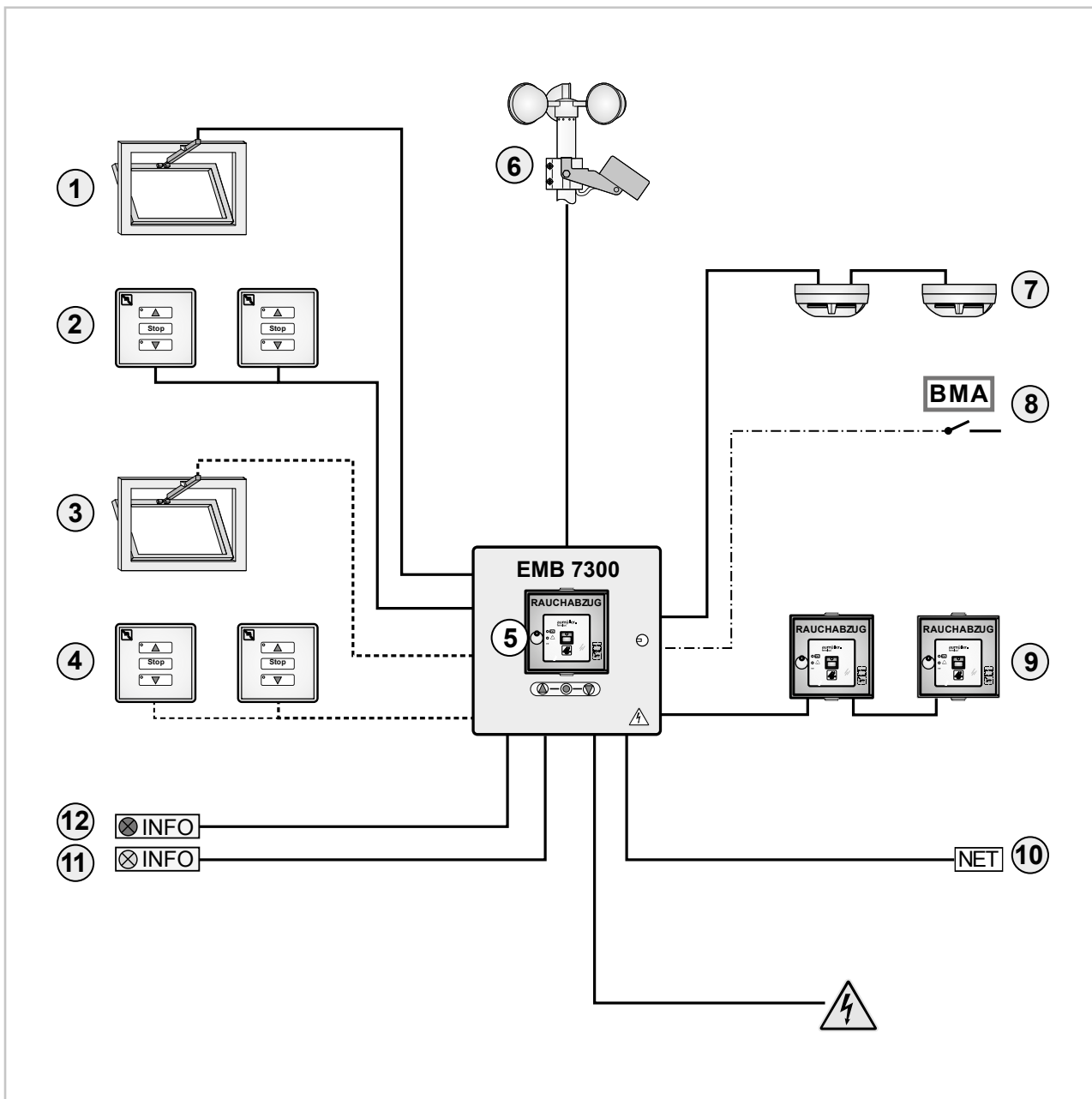
- Controls 24 V DC drives for smoke and heat exhaust in case of fire and for natural ventilation
- Control panel compliant with prEN 12101-9 / ISO 21927-9
- Power supply compliant with EN 12101-10
- Low ripple voltage output (< 2 Vpp) - compatible with all common drives
- 1 SHEV-Group output with 1 (optional 2) monitored ventilation line(s)
- Removable terminals for easy connection of signal lines
- Connection of electric motors, compressed gas generator and retention magnets
- 2 detector line inputs with line monitoring to connect:
  - Manual break-glass units (HSE)
  - Automatic smoke and heat detectors
- 1 Ventilation line input (optionally 2) with OPEN-STOP-CLOSE function
- 2 Plug-in-Module slots for signal monitoring and transduction (emergency open, fault)
- 1 Network port for connection and integration in building management systems (KNX)
- Direct connection input for wind and rain sensors
- Clear operating and display elements
- Extensive setting options of basic functions via „EMB compact“ software
- Housing (optional) with integrated break-glass unit and ventilation button (2,5 A / 5 A)
- Lead frame usable for flash mounting (2,5 A / 5 A)
- Cable entry from above, below or behind of the housing
- Prepared for connection of backup batteries (72 hours)
- VdS certification no.: G 514001

For this product series, a Type III Environmental Product Declaration (EPD) was issued according to ISO 14025 and EN 15804.

The LCA results of the different product types are listed at the end of this product catalogue.

The EPD documents can be viewed or downloaded from our homepage [www.aumueller-gmbh.de](http://www.aumueller-gmbh.de).

SOFTWARE FUNCTIONS		
Functions	Standard	License
Set ventilation inputs from dead-man to jog-switch mode (in OPEN and/or CLOSE direction)	✓	✓
Set failures of drive line monitoring as alarm signal	✓	✓
Disable alarm function caused by failures of detector line monitoring	✓	✓
Adjust switching threshold of wind sensor	✓	✓
Set drive run time and opening stroke limit for ventilation purpose	✓	✓
Enable and set automatic time-controlled drive line closing mode for ventilation purpose	--	✓
Enable drive line closing mode on primary power loss	✓	✓
Set acoustic or optical warning signals (additional hardware required)	--	✓
Display, save and print the status of the system	✓	✓
Firmware update	✓	✓
Set emergency close button from jog-switch mode to dead-man mode	✓	✓
Set next service and maintenance date (password protected)	--	✓
Set switch-on delay time for wind sensor	--	✓
Set switch-off delay time for wind sensor	--	✓
Disable retriggering of drive lines in alarm mode	--	✓
Active / disable manual break-glass unit lines (HSE)	--	✓
Active / disable smoke detector lines	--	✓
Enable smoke detector line input to be controlled by fire alarm systems "FAS"	--	✓
Set automatic switch-off time for drive lines	--	✓
EMERGENCY-CLOSE button while the smoke detector is active / disable	--	✓
Set drive running direction in alarm mode from open to close	--	✓
Set options of relay card REL65 (not in package)	--	✓
Set alarm functions for faults caused by each individual drive line (only 2 drive line version)	--	✓
Reset switch positions to the status before the weather control were activated	--	✓
Integration into digital networks with additional Plug-in Interface-Modules (KNX)	--	✓
Function natural ventilation control unit	--	✓
Setting operatingmodus (retention magnet / standard drive / pressure gas)	--	✓
SHEV dead-man	--	✓
Ventilation push button setting parallel operation	--	✓
Maintenance timer adjust	--	✓
OPEN case of line failure	--	✓
Activate with Reset button EMERGENCY-CLOSE	--	✓
Configure Content collective fault	--	✓



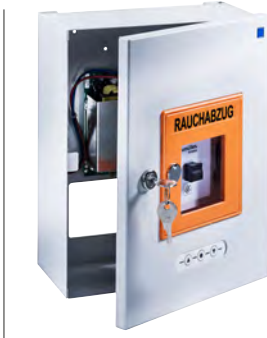
**CAPTION**

- ① Output for drive line 1, 24 V DC for smoke and heat exhausting and natural ventilation
- ② Input for ventilation line 1 (max. 10 vent buttons)
- ③ Output for drive line 2 (only for EMB 7300 5 A – 0102; 10 A – 0102; 20 A – 0102)
- ④ Input for ventilation line 2 (max. 10 vent buttons) (only for EMB 7300 5 A – 0102; 10 A – 0102; 20 A – 0102)
- ⑤ Housing of control unit with or without integrated break-glass unit and ventilation button
- ⑥ Connections for wind and rain sensor (disabled in case of alarm and power loss)
- ⑦ Input for smoke detectors (max. 10)
- ⑧ Input for signal from external fire alarm system (alternative connection)
- ⑨ Input for break-glass units (HSE – max. 10)
- ⑩ Port for network integration (requires additional module)
- ⑪ Output for signal transduction 1 (Plug-in-Module REL65 required)
- ⑫ Output for signal transduction 2 (Plug-in-Module REL65 required)

----- only available for EMB 7300 5 A – 0102; 10 A – 0102; 20 A – 0102

## ORDER DATA

		Part.-No.		
<b>EMB7300 2,5 A 0101</b>		<b>683020-0101</b>		
<b>Application:</b>	Compact control unit for smoke and heat exhaust ventilation systems operating with 24 V DC voltage, suitable for staircases.			

**TECHNICAL DATA (Rated values)**

Operating voltage:	230 V AC (195 – 253 V AC, 50/60 Hz)
Max. power consumption:	115 W
Output voltage:	24 V DC (20 – 28 V DC / 2 Vpp)
Output current:	<b>2,5 A</b>
Ambient temperature range:	-5°C ... + 40°C
Protection rating:	IP30
Housing:	Surface mounting, steel sheet, RAL 7035 (light grey)
Dimensions (WxHxD):	225 x 285 x 122 mm
Connection terminals:	1,5 mm <sup>2</sup> / drive line: 4 mm <sup>2</sup> (rigid wire)
VdS certification no.:	G 514001 (without or with orange SHEV button)

Motherboard:

**1 SHEV group / 1 Vent groups**

## Feature/Equipment

- Further settings (e.g. maintenance period) only available with extra cost software license
- Cable entry from above / below / behind
- Optional housing for flash mounting
- Prepared for **2** maintenance-free back-up batteries **2x 12 V / 2,3 Ah** (Part. Nr. 541000)

## OPTIONS

		Part.-No.		
Version with break-glass unit (HSE) and ventilation button on the front of the housing				
EMB7300 2,5 A 0101-T	HSE red (similar to RAL 3000)	<b>683021-0101</b>		
EMB7300 2,5 A 0101-T	HSE yellow (similar to RAL 1018)	<b>683022-0101</b>		
EMB7300 2,5 A 0101-T	HSE grey (similar to RAL 7035)	<b>683023-0101</b>		
EMB7300 2,5 A 0101-T	HSE blue (similar to RAL 5009)	<b>683024-0101</b>		
EMB7300 2,5 A 0101-T	HSE orange (similar to RAL 2011) VdS certification no.: G 514001	<b>683025-0101</b>		

### ORDER DATA

		Part.-No.		
<b>EMB7300 5 A 0101</b>		<b>683050-0101</b>		
<b>Application:</b>	Compact control unit for smoke and heat exhaust ventilation systems operating with 24 V DC voltage, suitable for staircases.			



#### TECHNICAL DATA (Rated values)

Operating voltage:	230 V AC (195 – 253 V AC, 50/60 Hz)
Max. power consumption:	460 W
Output voltage:	24 V DC (20 – 28 V DC / 0,5 Vpp)
Output current:	<b>5,0 A</b>
Ambient temperature range:	-5°C ... + 40°C
Protection rating:	IP30
Housing:	Surface mounting, steel sheet, RAL 7035 (light grey)
Dimensions (WxHxD):	225 x 285 x 122 mm
Connection terminals:	1,5 mm <sup>2</sup> / Drives: 6 mm <sup>2</sup> (rigid wire)
VdS certification no.:	G 514001 (without or with orange SHEV button)

Motherboard: **1 SHEV group / 1 Vent group**

#### Feature/Equipment

- Further settings (e.g. maintenance period) only available with extra cost software license
- Cable entry from above / below / behind
- Optional housing for flash mounting
- Prepared for **2** maintenance-free backup batteries **2x 12 V / 2,3 Ah** (Part. Nr. 541000)

#### OPTIONS

Available with breaglass unit and ventilation button on housing cover		Part.-No.		
EMB7300 5 A 0101-T	HSE red (similar to RAL 3000)	<b>683051-0101</b>		
EMB7300 5 A 0101-T	HSE yellow (similar to RAL 1018)	<b>683052-0101</b>		
EMB7300 5 A 0101-T	HSE grey (similar to RAL 7035)	<b>683053-0101</b>		
EMB7300 5 A 0101-T	HSE blue (similar to RAL 5009)	<b>683054-0101</b>		
EMB7300 5 A 0101-T	HSE orange (similar to RAL 2011) VdS certification no.: G 514001	<b>683055-0101</b>		

<b>EMB7300 5 A 0102</b>		<b>683050-0102</b>		
<b>Application:</b>	Compact control unit for smoke and heat exhaust ventilation systems operating with 24 V DC voltage, suitable for staircases.			



#### TECHNICAL DATA (Rated values)

Operating voltage:	230 V AC (195 – 253 V AC, 50/60 Hz)
Max. power consumption:	460 W
Output voltage:	24 V DC (20 – 28 V DC / 0,5 Vpp)
Output current:	<b>5,0 A</b>
Ambient temperature range:	-5°C ... + 40°C
Protection rating:	IP30
Housing:	Surface mounting, steel sheet, RAL 7035 (light grey)
Dimensions (WxHxD):	225 x 285 x 122 mm
Connection terminals:	1,5 mm <sup>2</sup> / Drives: 6 mm <sup>2</sup> (rigid wire)
VdS certification no.:	G 514001

Motherboard: **1 SHEV group / 2 Vent groups**

#### Feature/Equipment

- Further settings (e.g. maintenance period) only available with extra cost software license
- Cable entry from above / below / behind
- Optional housing for flash mounting
- Prepared for **2** maintenance-free backup batteries **2x 12 V / 2,3 Ah** (Part. Nr. 541000)

ORDER DATA

		Part.-No.		
<b>Flush mounting housing EMB7300 2,5 A / 5 A</b>		<b>683111</b>		
<b>Application:</b> Housing for flush mouting of EMB7300 2,5 A or 5 A in its own housing 225 x 285 x 122 mm.				



**TECHNICAL DATA**

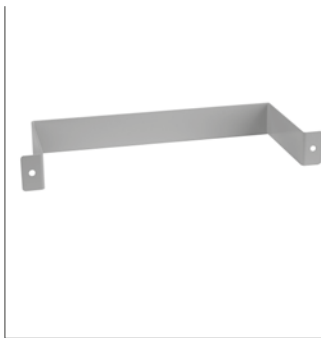
Material:	Steel sheet
Colour:	RAL 7035 (light grey)
<b>Flush housing:</b>	
Dimensions (WxHxD):	254 x 314 x 96 mm
<b>Plaster frame:</b>	
Dimensions (WxHxD):	282 x 342 x 48 mm
PE-Connecting cable:	160 mm with blade terminals 6,3 mm
Polystyrene plate:	240 x 302 x 93 mm

**2,5 A** **5 A**

**Feature/Equipment**

- Plaster frame with 4x rounded head screws M3x6, 4x plain washer A4
- Flush housing with 4x screw sleeve and safety nuts M5, 4x stainless steel mounting brackets 13 x 13 x 1 mm, 8x Tapping screws ST3, 5x6,5
- Polystyrene plate to avoid damage during plastering of the wall

<b>Accumulator holder</b>		<b>683250</b>		
<b>Application:</b> Holder to fix the Back-up batteries 12V / 2,3 Ah within the housing of control units.				



**TECHNICAL DATA**

Material:	Steel sheet
Colour:	RAL 7035 (light grey)

**2,5 A** **5 A**

**Feature/Equipment**

- Suitable for **EMB7300 2,5 A** and **EMB7300 5 A**

### ORDER DATA

		Part.-No.		
<b>EMB7300 10 A 0101</b>		<b>683010-0101</b>		
<b>Application:</b>	Compact control unit for smoke and heat exhaust ventilation systems operating with 24 V DC voltage, suitable for staircases.			



#### TECHNICAL DATA (Rated values)

Operating voltage:	230 V AC (195 – 253 V AC, 50/60 Hz)
Max. power consumption:	506 W
Output voltage:	24 V DC (20 – 28 V DC / 0,5 Vpp)
Output current:	<b>10 A</b>
Ambient temperature range:	-5°C ... + 40°C
Protection rating:	IP40 IP54 with alternatively fixing brackets
Housing:	Surface mounting, steel sheet, RAL 7035 (light grey)
Dimensions (WxHxD):	400 x 300 x 150 mm
Connection terminals:	1,5 mm <sup>2</sup> / Drives: 6 mm <sup>2</sup> (rigid wire)
VdS certification no.:	G 514001
Motherboard:	<b>1 SHEV group / 1 Vent group</b>

#### Feature/Equipment

- Further settings (e.g. maintenance period) only available with extra cost software license
- Cable entry from above / below
- Prepared for **2** maintenance-free backup batteries **2x 12 V / 7 Ah** (Part. Nr. 542000)

<b>EMB7300 10 A 0102</b>		<b>683010-0102</b>		
<b>Application:</b>	Compact control unit for smoke and heat exhaust ventilation systems operating with 24 V DC voltage, suitable for staircases.			



#### TECHNICAL DATA (Rated values)

Operating voltage:	230 V AC (195 – 253 V AC, 50/60 Hz)
Max. power consumption:	506 W
Output voltage:	24 V DC (20 – 28 V DC / 0,5 Vpp)
Output current:	<b>10 A</b>
Ambient temperature range:	-5°C ... + 40°C
Protection rating:	IP40 IP54 with alternatively fixing brackets
Housing:	Surface mounting, steel sheet, RAL 7035 (light grey)
Dimensions (WxHxD):	400 x 300 x 150 mm
Connection terminals:	1,5 mm <sup>2</sup> / Drives: 6 mm <sup>2</sup> (rigid wire)
VdS certification no.:	G 514001
Motherboard:	<b>1 SHEV group / 2 Vent groups</b>

#### Feature/Equipment

- Further settings (e.g. maintenance period) only available with extra cost software license
- Cable entry from above / below
- Prepared for **2** maintenance-free backup batteries **2x 12 V / 7 Ah** (Part. Nr. 542000)

<b>EMB7300 10 A 0204</b>		<b>683010-0204</b>		
<b>Application:</b>	Compact control unit for smoke and heat exhaust ventilation systems operating with 24 V DC voltage, suitable for staircases.			



#### TECHNICAL DATA (Rated values)

Operating voltage:	230 V AC (195 – 253 V AC, 50/60 Hz)
Max. power consumption:	506 W
Output voltage:	24 V DC (20 – 28 V DC / 0,5 Vpp)
Output current:	<b>10 A</b>
Ambient temperature range:	-5°C ... + 40°C
Protection rating:	IP40 IP54 with alternatively fixing brackets
Housing:	Surface mounting, steel sheet, RAL 7035 (light grey)
Dimensions (WxHxD):	400 x 500 x 200 mm
Connection terminals:	1,5 mm <sup>2</sup> / Drives: 6 mm <sup>2</sup> (rigid wire)
VdS certification no.:	G 514001
Motherboard:	<b>2 SHEV group / 4 Vent groups</b>

#### Feature/Equipment

- Further settings (e.g. maintenance period) only available with extra cost software license
- Cable entry from above / below
- Prepared for **2** maintenance-free backup batteries **2x 12 V / 7 Ah** (Part. Nr. 542000)

## ORDER DATA

		Part.-No.		
<b>EMB7300 20 A 0102</b>		<b>683220-0102</b>		
<b>Application:</b>	Compact control unit for smoke and heat exhaust ventilation systems operating with 24 V DC voltage, suitable for staircases.			



### TECHNICAL DATA (Rated values)

Operating voltage:	230 V AC (195 – 253 V AC, 50/60 Hz)
Max. power consumption:	805 W
Output voltage:	24 V DC (20 – 28 V DC / 0,5 Vpp)
Output current:	<b>20 A</b>
Ambient temperature range:	-5°C ... + 40°C
Protection rating:	IP40 IP54 with alternatively fixing brackets
Housing:	Surface mounting, steel sheet, RAL 7035 (light grey)
Dimensions (WxHxD):	400 x 400 x 200 mm
Connection terminals:	1,5 mm <sup>2</sup> / Drives: 6 mm <sup>2</sup> (rigid wire)
VdS certification no.:	G 514001
Motherboard:	<b>1 SHEV group / 2 Vent groups</b>

### Feature/Equipment

- Further settings (e.g. maintenance period) only available with extra cost software license
- Cable entry from above / below
- Prepared for **2** maintenance-free backup batteries **2x 12 V / 7 Ah** (Part. Nr. 542000)

		Part.-No.		
<b>EMB7300 20 A 0204</b>		<b>683220-0204</b>		
<b>Application:</b>	Compact control unit for smoke and heat exhaust ventilation systems operating with 24 V DC voltage, suitable for staircases.			



### TECHNICAL DATA (Rated values)

Operating voltage:	230 V AC (195 – 253 V AC, 50/60 Hz)
Max. power consumption:	805 W
Output voltage:	24 V DC (20 – 28 V DC / 0,5 Vpp)
Output current:	<b>20 A</b>
Ambient temperature range:	-5°C ... + 40°C
Protection rating:	IP40 IP54 with alternatively fixing brackets
Housing:	Surface mounting, steel sheet, RAL 7035 (light grey)
Dimensions (WxHxD):	400 x 500 x 200 mm
Connection terminals:	1,5 mm <sup>2</sup> / Drives: 6 mm <sup>2</sup> (rigid wire)
VdS certification no.:	G 514001
2x Motherboard:	<b>2 SHEV group / 4 Vent groups</b>

### Feature/Equipment

- Further settings (e.g. maintenance period) only available with extra cost software license
- Cable entry from above / below
- Prepared for **2** maintenance-free backup batteries **2x 12 V / 12 Ah** (Part. Nr. 542200)

**10 A**
**20 A**

## ACCESSORIES

Part.-No.		VE			
<b>500001</b>	<b>Wall fixing brackets IP54</b>	<b>4 piece</b>			